



### ■ Features:

- Lowest DCR / uH, in this package size
- Handles high transient current spikes without saturation
- Ultra low noise, due to composite construction

### ■ Applications:

- Notebook/Desktop/Server applications
- Low profilis, high current power supplies
- DC/DC converter for Field programmable gate Array

### ■ Parts code:

**FLIHP 1004**

Type

**1R0**

Inductance code

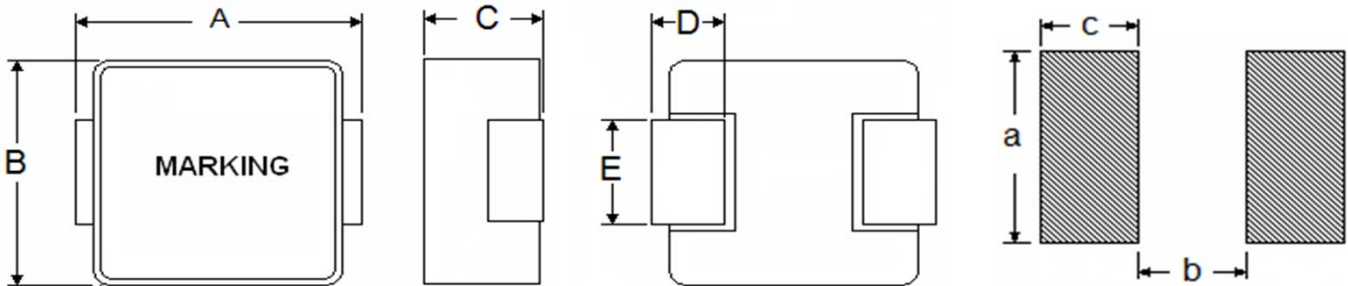
**M**

Tolerance: M : ± 20%

N : ± 30%

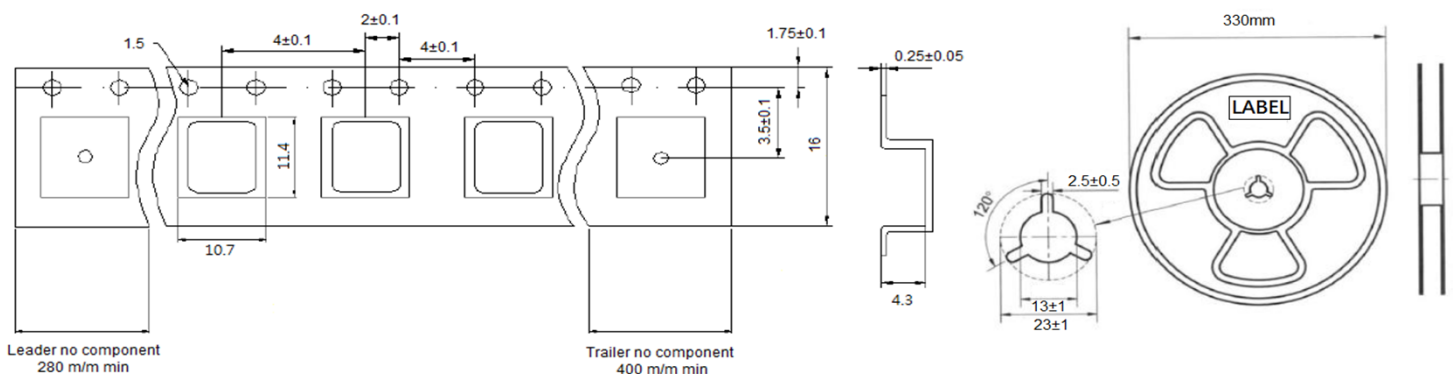
### ■ Outline Dimension:

### ■ Recommended Land Pattern:



Dimensions in mm

TYPE	A	B	C	D	E	a	b	c
FLIHP 1004	11.6max	10.0±0.3	4.0 max	2.5±0.5	3.0±0.5	3.1Typ	6.4 Typ	2.6 Typ



■ Package: Q'TY / Reel  
FLIHP-1004--1K/pcs

# Hi-Current Power Inductor FLIHP 1004



11.0X10.0X4.0

## ■ Specifications

FLIHP 1004				
Flic No.	L	DCR (mΩ)	Stauration Current	Heat Rating Current
	( uH )	Max	Isat (A) Typ.	Irms (A) Typ.
FLIHP 1004- R36M	0.36	1.2	42.00	34.00
FLIHP 1004- R45M	0.45	1.2	38.00	33.00
FLIHP 1004- R47M	0.47	1.7	38.00	28.00
FLIHP 1004- R56M	0.56	1.8	32.00	27.00
FLIHP 1004- R68M	0.68	2.4	30.00	23.00
FLIHP 1004- 1R0M	1.0	3.3	26.00	20.00
FLIHP 1004- 1R5M	1.5	4.2	22.00	16.00
FLIHP 1004- 2R2M	2.2	7.0	16.00	14.00
FLIHP 1004- 3R3M	3.3	11.8	13.00	11.00
FLIHP 1004- 4R7M	4.7	16.5	12.00	8.50
FLIHP 1004- 6R8M	6.8	25.0	10.00	8.00
FLIHP 1004- 8R2M	8.2	27.0	9.00	7.50
FLIHP 1004- 100M	10	30.0	7.00	6.50
FLIHP 1004- 150M	15	45.0	6.00	6.25
FLIHP 1004- 220M	22	66.0	5.50	5.00
FLIHP 1004- 330M	33	92.0	4.50	4.00
FLIHP 1004- 470M	47	150.0	4.00	3.00

■ Notes: Tolerance: M ( $\pm 20\%$ ), N ( $\pm 30\%$ )

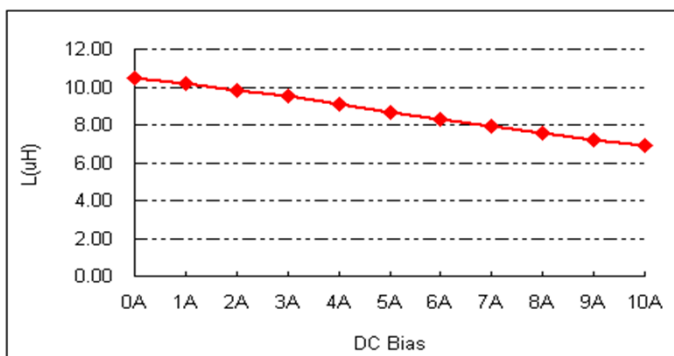
■ Test Ferquency: 100 KHz / 1V

- Isat: Based on Inductance decrease 30%
- Irms: Based on Temperature increase 40°C
- Operating temperature range: -40°C ~ +125°C
- Storage Temp: -40°C ~ +125°C

## ■ TYPICAL ELECTRICAL CHARACTERISTICS:

■ Inductance vs. DC Current Characteristics

FLIHP1004-10uH/M



■ Temperature vs. DC Current Characteristics

