



■ Features:

- Lowest DCR / uH, in this package size
- Handles high transient current spikes without saturation
- Ultra low noise, due to composite construction

■ Applications:

- Notebook/Desktop/Server applications
- Low profilis, high current power supplies
- DC/DC converter for Field programmable gate Array

■ Parts code:

FLIHP 1250

Type

1R0

Inductance code

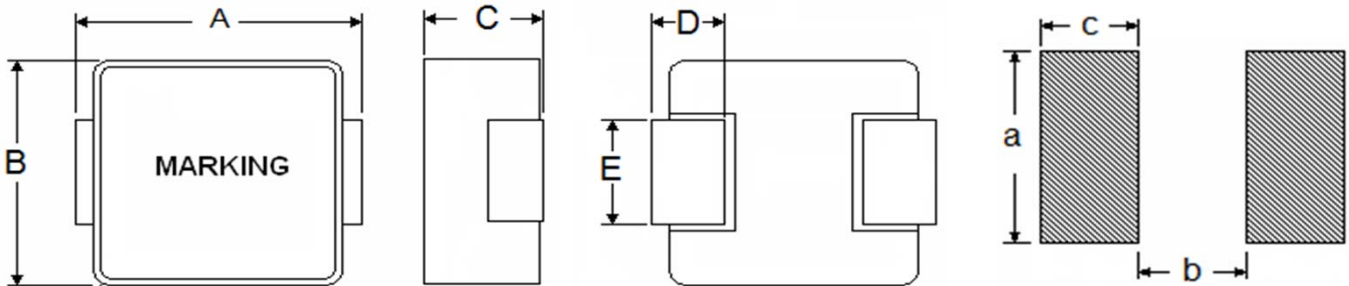
M

Tolerance: M : ± 20%

N : ± 30%

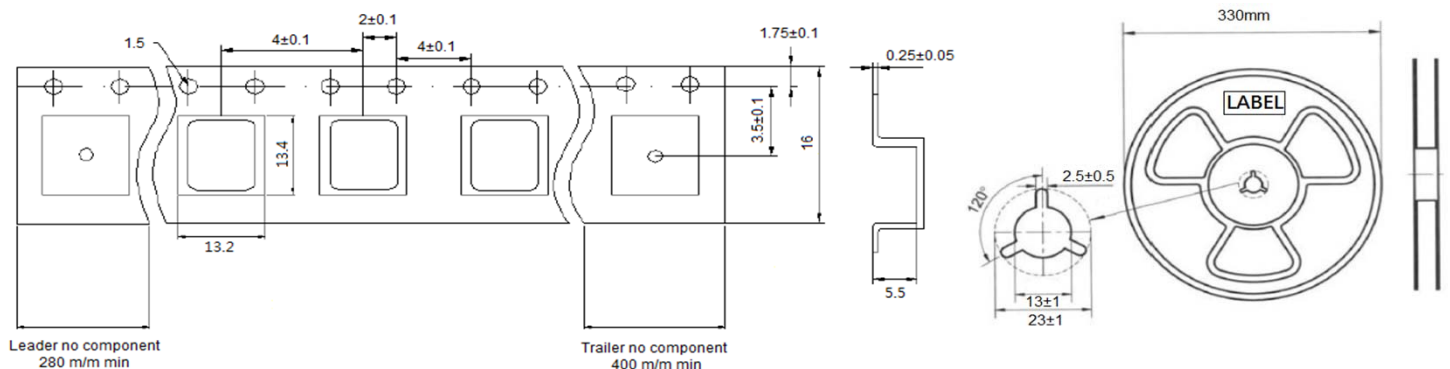
■ Outline Dimension:

■ Recommended Land Pattern:



Dimensions in mm

TYPE	A	B	C	D	E	a	b	c
FLIHP 1250	13.8max	12.6±0.3	5.0 max	2.7±0.5	3.5±0.5	3.6Typ	8.2 Typ	2.8 Typ



■ Package: Q'TY / Reel

FLIHP-1250--400/pcs

Hi-Current Power Inductor FLIHP 1250



13.5X12.5X5.0

■ Specifications

FLIHP 1250				
Flic No.	L	DCR (mΩ)	Stauration Current	Heat Rating Current
	(uH)	Max	Isat (A) Typ.	Irms (A) Typ.
FLIHP 1250- R36M	0.36	1.1	60.00	41.00
FLIHP 1250- R47M	0.47	1.3	46.00	37.00
FLIHP 1250- 1R0M	1.0	2.5	37.00	29.00
FLIHP 1250- 1R5M	1.5	4.1	30.00	23.00
FLIHP 1250- 2R2M	2.2	5.0	25.00	15.00
FLIHP 1250- 3R3M	3.3	9.0	23.00	12.00
FLIHP 1250- 4R7M	4.7	11.5	16.00	11.00
FLIHP 1250- 5R6M	5.6	15.0	15.00	10.50
FLIHP 1250- 6R8M	6.8	22.0	14.00	9.00
FLIHP 1250- 8R2M	8.2	24.0	13.00	8.50
FLIHP 1250- 100M	10	29.0	13.00	8.00

■ Notes: Tolerance: M ($\pm 20\%$), N ($\pm 30\%$)

■ Test Ferquency: 100 KHz / 1V

- Isat: Based on Inductance decrease 30%
- Irms: Based on Temperature increase 40°C
- Operating temperature range: -40°C ~ +125°C
- Storage Temp: -40°C ~ +125°C