



■ Features:

- Lowest DCR / uH, in this package size
- Handles high transient current spikes without saturation
- Ultra low noise, due to composite construction

■ Applications:

- Notebook/Desktop/Server applications
- Low profilis, high current power supplies
- DC/DC converter for Field programmable gate Array

■ Parts code:

FLIHP 2510

Type

1R0

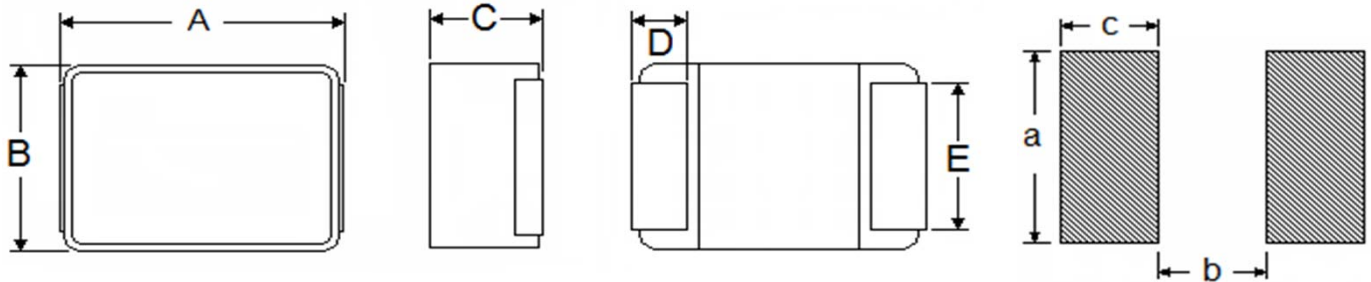
Inductance code

M

Tolerance: M : ± 20%

N : ± 30%

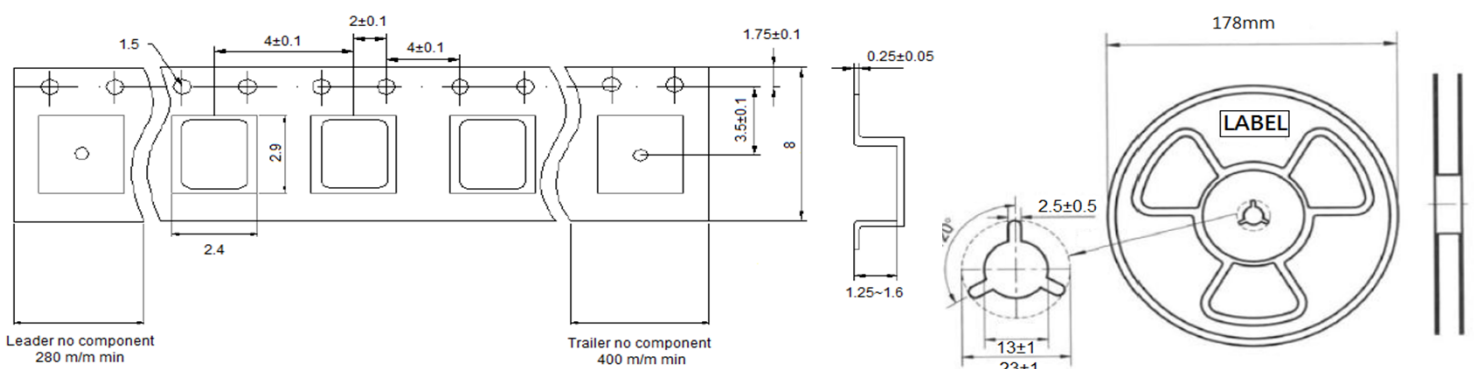
■ Outline Dimension:



■ Recommended Land Pattern:

Dimensions in mm

TYPE	A	B	C	D	E	a	b	c
FLIHP 2510	2.5±0.2	2.0±0.2	1.0 max	0.6±0.2	1.85±0.2	1.8 Typ	1.4 Typ	0.8 Typ
FLIHP 2512	2.5±0.2	2.0±0.2	1.2 max	0.6±0.2	1.85±0.2	1.8 Typ	1.4 Typ	0.8 Typ

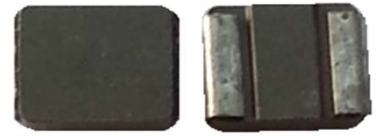


■ Package: Q'TY / Reel

FLIHP-252010--3K/pcs

FLIHP-252012--3K/pcs

Hi-Current Power Inductor FLIHP 2510



2.5X2.0X1.0

■ Specifications

FLIHP 2510				
Flic No.	L	DCR (mΩ)	Stauration Current	Heat Rating Current
	(uH)	Max	Isat (A) Typ.	Irms (A) Typ.
FLIHP 2510- R24M	0.24	21	7.50	4.90
FLIHP 2510- R33M	0.33	28	5.50	4.00
FLIHP 2510- R47M	0.47	32	5.00	3.70
FLIHP 2510- R68M	0.68	43	4.30	3.40
FLIHP 2510- 1R0M	1.0	64	3.60	3.00
FLIHP 2510- 1R5M	1.5	91	2.80	2.30
FLIHP 2510- 2R2M	2.2	124	2.40	1.80

■ Test Ferquency: 1 MHz / 1V

Hi-Current Power Inductor FLIHP 2512



2.5X2.0X1.2

■ Specifications

FLIHP 2512				
Flic No.	L	DCR (mΩ)	Stauration Current	Heat Rating Current
	(uH)	Max	Isat (A) Typ.	Irms (A) Typ.
FLIHP 2512- R24M	0.24	21	7.50	5.00
FLIHP 2512- R33M	0.33	24	6.60	4.40
FLIHP 2512- R47M	0.47	29	5.50	4.10
FLIHP 2512- R68M	0.68	36	5.10	3.50
FLIHP 2512- 1R0M	1.0	46	4.10	3.10
FLIHP 2512- 1R5M	1.5	67	3.00	2.60
FLIHP 2512- 2R2M	2.2	91	2.80	2.20

■ Notes: Tolerance: M (± 20%) , N (± 30%)

■ Test Ferquency: 1 MHz / 1V

Isat: Based on Inductance decrease 30%

Irms: Based on Temperature increase 40°C

Operating temperature range: -40°C ~ +125°C

Storage Temp: -40°C ~ +125°C