

■ Features:

- High current , low DCR , high efficiency.
- Very low acoustic noise and very low leakage flux noise.
- Motor control
- DC/DC converters in distributed power systems
- AEC-Q200 Grade 1 qualified (-40°C to +125°C ambient)

■ Applications:

- Shielded construction reduces EMI
- Low profilis, high current power supplies
- Soft saturation.
- DC/DC converter for Field programmable gate Array
- Battery powered device

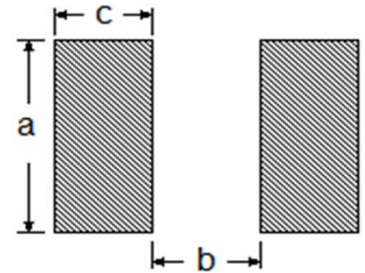
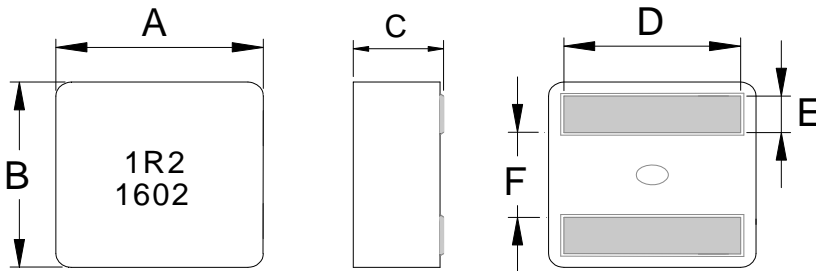
■ Parts code:

FLMPF	0402	2R2	M	D
Type	Dimension	Inductance code	Tolerance: M : ± 20%	Date Code
			N : ± 30%	

■ PS: Marking: Black.2R2 and 1602(16 YY, 02 WW, follow production date)

■ Outline Dimension:

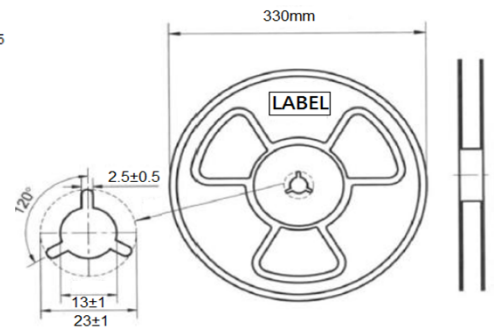
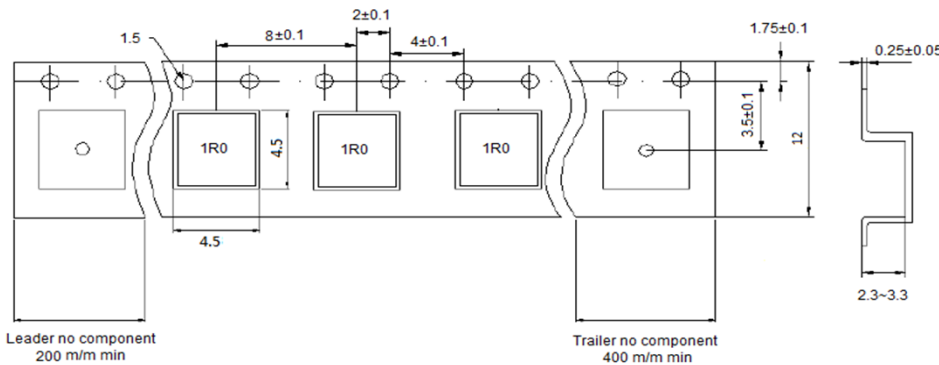
■ Recommended Land Pattern:



Dimensions in mm

TYPE	A	B	C	D	E	F
FLMPF 0402	4.1±0.2	4.1±0.2	1.9±0.2	3.4±0.3	0.88±0.2	1.6±0.25
FLMPF 0403	4.1±0.2	4.1±0.2	2.8±0.2	3.4±0.3	0.88±0.2	1.6±0.25

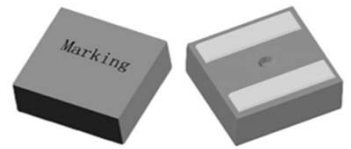
a	b	c
3.8 Typ	1.4 Typ	1.0 Typ
3.8 Typ	1.4 Typ	1.0 Typ



■ Package: Q'TY / Reel

FLMPF-0402--3K/pcs
 FLMPF-0403--2K/pcs

Hi-Current Power Inductor FLMPF 0402



4.1x4.1x1.9

■ Specifications

FLMPF 0402

Flic No.	L	DCR (mΩ)	Isat (A)		Irms (A)	
	(uH)	Max	Typ.	Max.	20°C Rise	40°C Rise
FLMPF 0402- R22M	0.22	4.6	19.5	18.8	13.0	16.8
FLMPF 0402- R33M	0.33	5.5	18.0	16.5	12.0	15.5
FLMPF 0402- R36M	0.36	6.3	17.0	15.0	11.0	14.5
FLMPF 0402- R40M	0.40	7.73	15.5	13.5	10.0	14.0
FLMPF 0402- R47M	0.47	8.58	14.5	13.0	9.0	12.5
FLMPF 0402- R56M	0.56	9.3	14.0	12.6	8.5	12.0
FLMPF 0402- R60M	0.60	9.52	13.7	12.3	8.0	11.7
FLMPF 0402- R72M	0.72	11.6	12.0	10.6	7.6	10.5
FLMPF 0402- 1R0M	1.00	14.6	9.6	8.8	6.8	9.6

■ Notes: Tolerance: M (± 20%)), N (± 30%)

■ Test Frequency: 100 KHz / 0.1V

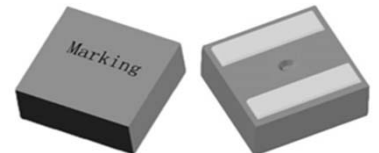
Isat: Based on Inductance decrease 30%

Irms: Based on Temperature increase 40°C

Operating temperature range: -40°C ~ +125°C

Storage Temp: -40°C ~ +125°C

Hi-Current Power Inductor FLMPF 0403



4.1x4.1x2.8

■ Specifications

FLMPF 0403

Flic No.	L	DCR (mΩ)	Isat (A)		Irms (A)	
	(uH)	Max	Typ.	Max.	20°C Rise	40°C Rise
FLMPF 0403- R47M	0.47	7.26	17.0	15.0	10.0	14.0
FLMPF 0403- 1R0M	1.00	12.76	10.0	9.0	7.0	10.0

■ Notes: Tolerance: M (± 20%)), N (± 30%)

■ Test Frequency: 100 KHz / 0.1V

Isat: Based on Inductance decrease 30%

Irms: Based on Temperature increase 40°C

Operating temperature range: -40°C ~ +125°C

Storage Temp: -40°C ~ +125°C