

■ Features:

- High current , low DCR , high efficiency.
- Very low acoustic noise and very low leakage flux noise.
- Motor control
- DC/DC converters in distributed power systems
- AEC-Q200 Grade 1 qualified (-40°C to +125°C ambient)

■ Applications:

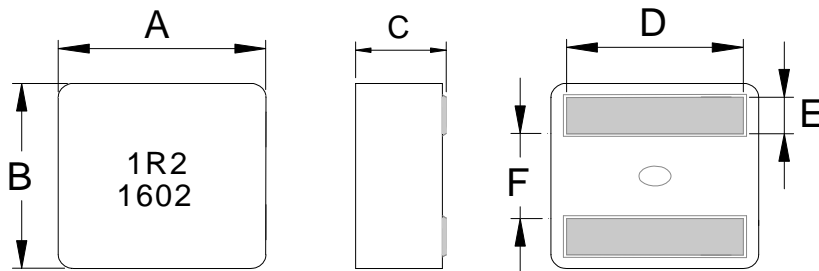
- Shielded construction reduces EMI
- Low profilis, high current power supplies
- Soft saturation.
- DC/DC converter for Field programmable gate Array
- Battery powered device

■ Parts code:

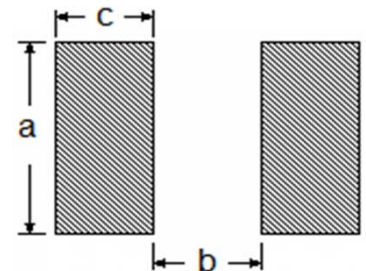
FLMPF	0402LR	2R2	M	D
Type	Dimension / Material	Inductance code	Tolerance: M : ± 20% N : ± 30%	Date Code 1602

■ PS: Marking: Black.2R2 and 1602(16 YY, 02 WW, follow production date)

■ Outline Dimension:



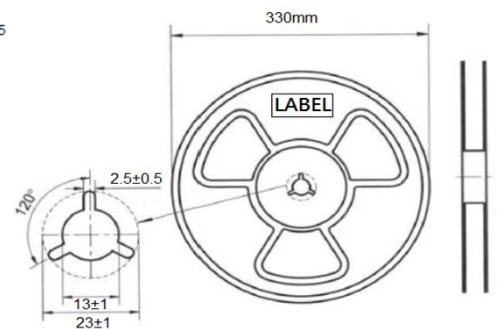
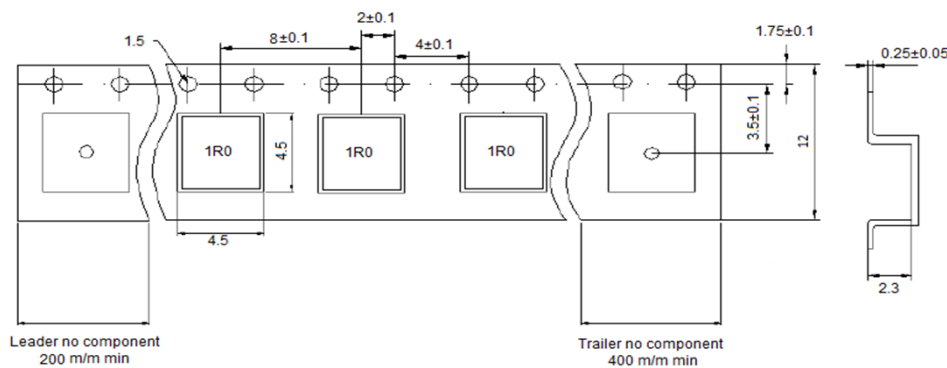
■ Recommended Land Pattern:



Dimensions in mm

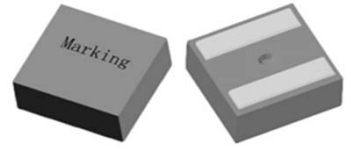
TYPE	A	B	C	D	E	F
FLMPF 0402LR	4.1±0.2	4.1±0.2	1.9±0.2	3.4±0.3	0.88±0.2	1.6±0.25

a	b	c
3.8 Typ	1.4 Typ	1.0 Typ



■ Package: Q'TY / Reel
FLMPF-0402LR--3K/pcs

Hi-Current Power Inductor FLMPF 0402LR



4.1x4.1x1.9

■ Specifications

FLMPF 0402LR

Flic No.	L	DCR (mΩ)	Isat (A)		Irms (A)	
	(uH)	Max	Typ.	Max.	20°C Rise	40°C Rise
FLMPF 0402LR- R47M	0.47	6.8	14.0	12.5	9.8	13.2
FLMPF 0402LR- R68M	0.68	8.2	11.6	10.0	9.2	12.0
FLMPF 0402LR- R82M	0.82	9.5	10.2	9.0	8.5	11.5
FLMPF 0402LR- 1R0M	1.00	11.7	9.2	8.0	8.0	11.0
FLMPF 0402LR- 1R2M	1.20	13.4	8.6	7.5	7.2	9.5
FLMPF 0402LR- 1R5M	1.50	15.8	7.5	6.7	6.7	9.1
FLMPF 0402LR- 2R0M	2.00	23.3	6.2	5.0	6.2	8.2
FLMPF 0402LR- 2R2M	2.20	23.5	6.0	4.8	6.0	8.0
FLMPF 0402LR- 3R3M	3.30	38.3	5.3	4.4	4.4	5.5

■ Notes: Tolerance: M ($\pm 20\%$), N ($\pm 30\%$)

■ Test Frequency: 100 KHz / 0.1V

Isat: Based on Inductance decrease 30%

Irms: Based on Temperature increase 40°C

Operating temperature range: -40°C ~ +125°C

Storage Temp: -40°C ~ +125°C