

### ■ Features:

- High current , low DCR , high efficiency.
- Very low acoustic noise and very low leakage flux noise.
- Motor control
- DC/DC converters in distributed power systems
- AEC-Q200 Grade 1 qualified (-40°C to +125°C ambient)

### ■ Applications:

- Shielded construction reduces EMI
- Low profilis, high current power supplies
- Soft saturation.
- DC/DC converter for Field programmable gate Array
- Battery powered device

### ■ Parts code:

**FLMPF**

Type

**0603**

Dimension

**1R2**

Inductance code

**M**

Tolerance: M : ± 20%

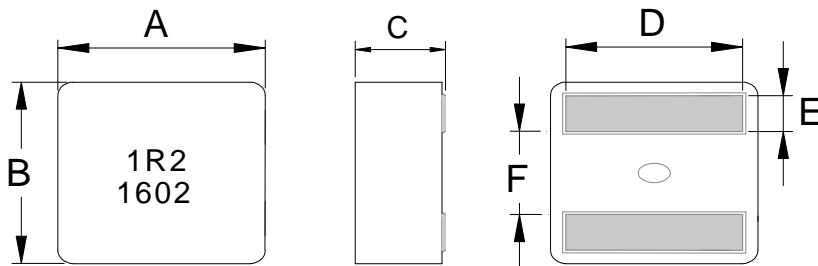
N : ± 30%

**D**

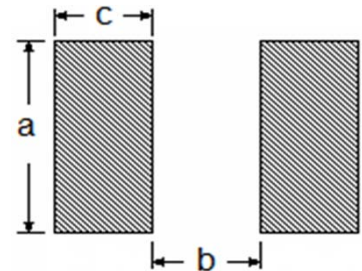
Date Code

■ PS: Marking: Black.2R2 and 1602(16 YY, 02 WW, follow production date)

### ■ Outline Dimension:



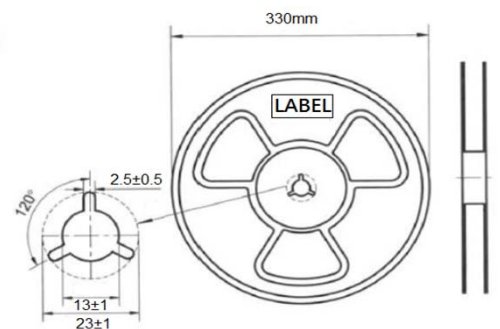
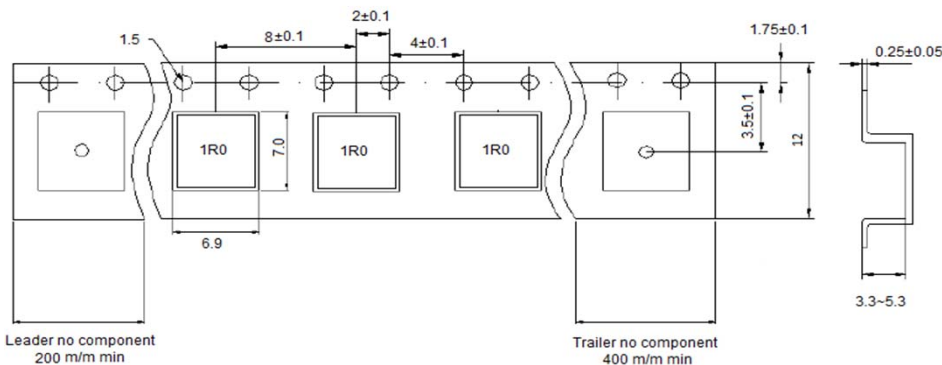
### ■ Recommended Land Pattern:



Dimensions in mm

TYPE	A	B	C	D	E	F
FLMPF 0603	6.6±0.2	6.4±0.2	2.9±0.2	See Spec table	1.4±0.2	2.6±0.25
FLMPF 0605	6.6±0.2	6.4±0.2	4.8±0.2		1.4±0.2	2.6±0.25

a	b	c
5.6 Typ	2.5 Typ	1.55 Typ
5.6 Typ	2.5 Typ	1.55 Typ

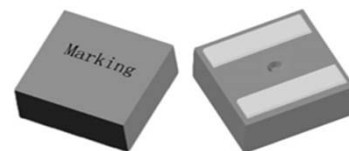


### ■ Package: Q'TY / Reel

FLMPF-0603--1K/pcs

FLMPF-0605--800/pcs

## Hi-Current Power Inductor FLMPF 0603



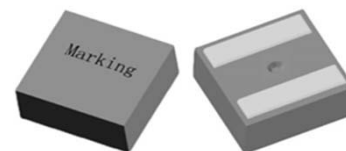
6.6x6.4x2.9

### ■ Specifications

### FLMPF 0603

Flic No.	L	DCR (mΩ)	Isat (A)		Irms (A)		D(mm)
	( uH )	Max	Typ.	Max.	20°C Rise	40°C Rise	±0.3
FLMPF 0603- R18M	0.18	1.75	40.0	36.0	24.0	32.0	5.30
FLMPF 0603- R33M	0.33	2.5	32.0	28.0	20.0	25.0	5.55
FLMPF 0603- R56M	0.56	3.31	29.0	25.0	17.0	22.0	5.30
FLMPF 0603- 1R0M	1.00	6.05	23.0	18.0	13.0	18.0	5.20
FLMPF 0603- 1R2M	1.20	7.4	22.0	16.0	12.0	16.0	5.15
FLMPF 0603- 1R8M	1.80	10.2	18.2	13.0	10.0	14.0	5.10
FLMPF 0603- 2R2M	2.20	12.2	15.9	11.0	7.0	10.0	5.05

## Hi-Current Power Inductor FLMPF 0605



6.6x6.4x4.8

### ■ Specifications

### FLMPF 0605

Flic No.	L	DCR (mΩ)	Isat (A)		Irms (A)		D(mm)
	( uH )	Max	Typ.	Max.	20°C Rise	40°C Rise	±0.3
FLMPF 0605- R82M	0.82	4.18	24.0	20.0	16.0	21.0	5.30
FLMPF 0605- 1R0M	1.00	4.52	23.0	18.0	15.0	20.0	5.30
FLMPF 0605- 1R2M	1.20	5.83	22.0	16.0	14.0	18.0	5.30
FLMPF 0605- 1R5M	1.50	6.3	19.5	14.5	13.0	17.0	5.30
FLMPF 0605- 1R8M	1.80	7.1	18.5	13.5	12.0	16.0	5.30
FLMPF 0605- 2R2M	2.20	8.5	16.0	12.0	10.0	13.0	5.20
FLMPF 0605- 3R3M	3.20	12.5	12.5	10.0	8.5	11.0	5.20
FLMPF 0605- 4R3M	4.30	16.2	11.0	8.5	7.0	9.0	5.20

■ Notes: Tolerance: M (± 20%) , N (± 30%)

■ Test Frequency: 100 KHz / 0.1V

Isat: Based on Inductance decrease 30%

Irms: Based on Temperature increase 40°C

Operating temperature range: -40°C ~ +125°C

Storage Temp: -40°C ~ +125°C

**Flic**

FLIC Technology

TEL:886-2-8675-5519  
FAX:886-2-8675-5299

http:www.flic.com.tw  
email: sale@flic.com.tw