

■ Features:

- High current , low DCR , high efficiency.
- Very low acoustic noise and very low leakage flux noise.
- Motor control
- DC/DC converters in distributed power systems
- AEC-Q200 Grade 1 qualified (-40°C to +125°C ambient)

■ Applications:

- Shielded construction reduces EMI
- Low profilis, high current power supplies
- Soft saturation.
- DC/DC converter for Field programmable gate Array
- Battery powered device

■ Parts code:

FLMPF

Type

1508

Dimension

2R2

Inductance code

M

Tolerance: M : ± 20%

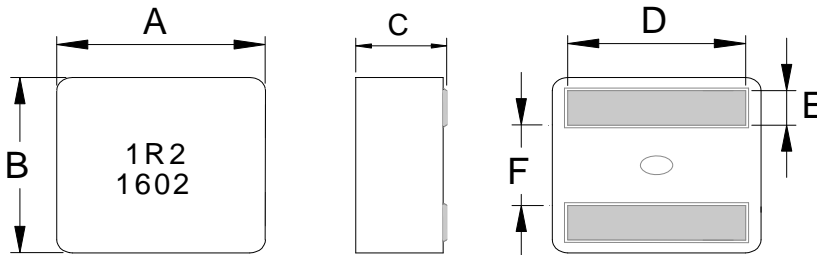
N : ± 30%

D

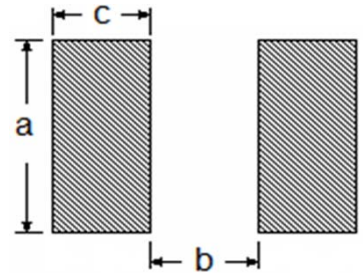
Date Code

■ PS: Marking: Black.2R2 and 1602(16 YY, 02 WW, follow production date)

■ Outline Dimension:



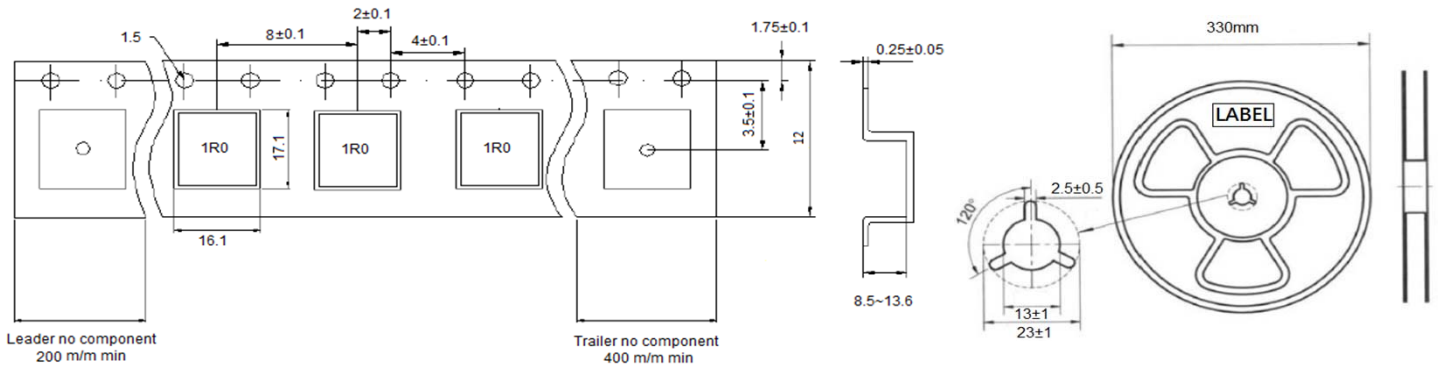
■ Recommended Land Pattern:



Dimensions in mm

TYPE	A	B	C	D	E	F
FLMPF 1508	16.5±0.3	15.5±0.3	7.7±0.3	13.2±0.5	3.2±0.2	7.4±0.3
FLMPF 1510	16.5±0.3	15.5±0.3	9.7±0.3	13.2±0.5	3.2±0.2	7.4±0.3
FLMPF 1513	16.5±0.3	15.5±0.3	12.7±0.3	13.2±0.5	3.2±0.2	7.4±0.3

a	b	c
15.0 Typ	6.0 Typ	4.5 Typ
15.0 Typ	6.0 Typ	4.5 Typ
15.0 Typ	6.0 Typ	4.5 Typ



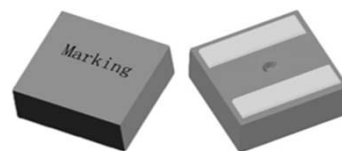
■ Package: Q'TY / Reel

FLMPF-1508--200/pcs

FLMPF-1510--150/pcs

FLMPF-1513--100/pcs

Hi-Current Power Inductor FLMPF 1508

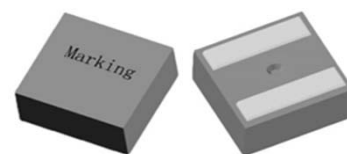


16.5x15.5x7.7

■ Specifications

FLMPF 1508						
Flic No.	L	DCR (mΩ)	Isat (A)		Irms (A)	
	(uH)	Max	Typ.	Max.	20°C Rise	40°C Rise
FLMPF1508A- 2R0M	2.00	2.21	57.0	52.0	29.5	40.0
FLMPF1508A- 2R2M	2.20	2.48	55.0	49.0	28.0	37.0
FLMPF1508A- 3R0M	3.00	3.00	46.0	41.0	26.0	34.5
FLMPF1508A- 4R2M	4.20	4.68	38.0	33.0	20.5	27.0
FLMPF1508A- 5R3M	5.30	5.34	35.0	31.0	19.5	26.0
FLMPF1508A- 6R2M	6.20	6.50	34.0	31.0	17.0	23.0
FLMPF1508A- 7R2M	7.20	7.20	32.0	29.0	15.0	21.0
FLMPF1508A- 8R2M	8.20	7.92	28.0	25.0	13.0	19.0

Hi-Current Power Inductor FLMPF 1510

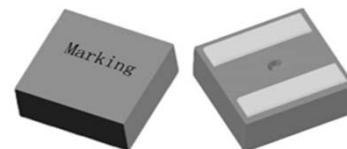


16x15.5x9.7

■ Specifications

FLMPF 1510						
Flic No.	L	DCR (mΩ)	Isat (A)		Irms (A)	
	(uH)	Max	Typ.	Max.	20°C Rise	40°C Rise
FLMPF1510- 4R7M	4.70	3.80	43.0	39.0	22.0	30.0
FLMPF1510- 5R6M	5.60	4.20	38.0	34.0	21.0	28.0
FLMPF1510- 6R8M	6.80	4.60	36.0	31.0	20.0	26.0
FLMPF1510- 8R2M	8.20	7.20	32.0	28.0	19.0	25.0

Hi-Current Power Inductor FLMPF 1513



16x15.5x12.7

■ Specifications

FLMPF 1513						
Flic No.	L	DCR (mΩ)	Isat (A)		Irms (A)	
	(uH)	Max	Typ.	Max.	20°C Rise	40°C Rise
FLMPF1513A- 4R7M	4.70	3.30	44.0	40.0	23.0	31.0
FLMPF1513A- 5R6M	5.60	3.90	40.0	35.0	22.0	29.0
FLMPF1513A- 6R8M	6.80	4.20	37.0	32.0	21.0	27.0
FLMPF1513A- 8R2M	8.20	5.74	33.0	29.0	20.0	26.0

■ Notes: Tolerance: M (± 20%) , N (± 30%)

■ Test Frequency: 100 KHz / 0.1V

Isat: Based on Inductance decrease 30%

Irms: Based on Temperature increase 40°C

Operating temperature range: -40°C ~ +125°C

Storage Temp: -40°C ~ +125°C