



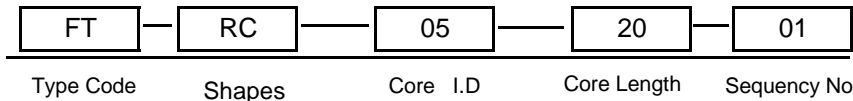
### Features:

- Internal dimensions from 5mm to 15mm radius. Precision formed smooth surface prevent damage to wire insulation. Easy installation.

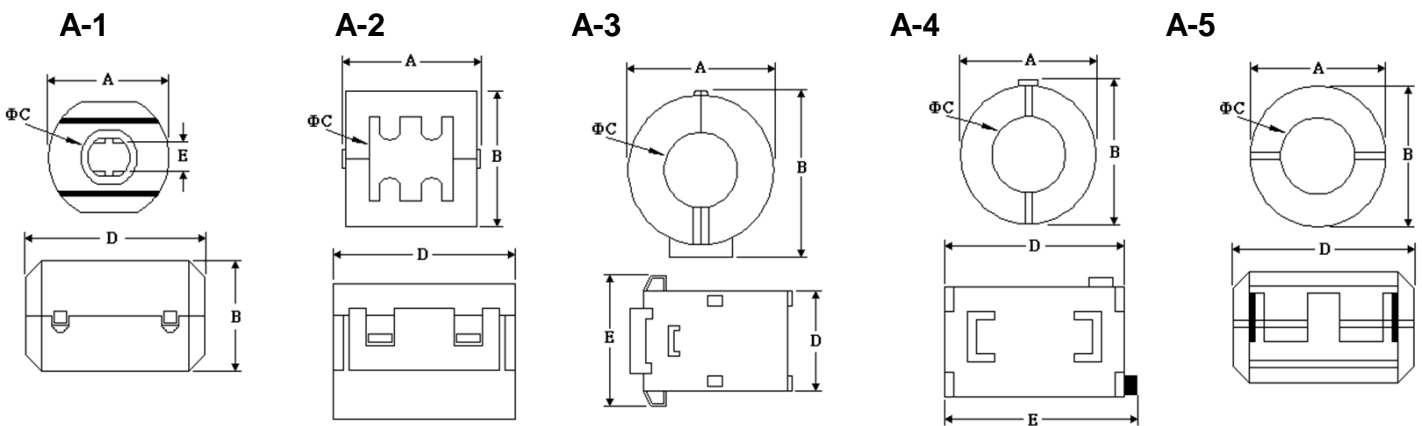
### Applications:

- Internal and external power cables. internal cables between pc boards and data connectors, computer peripherals, digital camera, DVD, fax machine cables, monitor cables, power supply cables. Printer cables.

### Parts code:



### Shapes



Dimensions

Unit:mm

NO	ITEM	Shapes	A	B	ΦC	D	E	IMPEDANCD (Ω) min.		Max Cable Dia (φ)
								25MHz	100MHz	
1	FTRC-0520-1	A-1	13±1	11.8±1	5±0.3	25.5±1	2.5	60	100	5
2	FTRC-0930-1	A-1	19.5±1	18±1	9±0.3	35±1	5.5±1	80	130	9
3	FTNF-50	A-2	15.0±1	14±1	5.2±0.3	23±1	/	70	120	5
4	FTNF-65	A-2	20.5±1	20±1	6.5±0.3	33±1	/	120	200	6.5
5	FTNF-100	A-2	25.5±1	23.5±1	10±0.3	33±1	/	80	130	10
6	FTNF-135	A-3	31.5±1	30±1	13±0.3	33±1	/	105	170	13
7	FTRC-0813	A-4	19.5±1	23±1	8.1±0.3	17±1	23±1	42	85	8
8	FTRC-0715	A-4	15.5±1	14±1	7±0.3	18±1	22±1	40	75	7
9	FTRC-0930-2	A-4	20.5±1	19.5±1	9±0.3	31.5±1	35.5±1	80	130	9
10	FTRC-1130	A-4	20.5±1	21±1	11±0.4	32±1	36±1	60	110	11
11	FTRC-0415	A-5	15±1	15±1	4±0.2	25.2±1	/	55	95	4
12	FTRC-7530	A-5	21±1	21±1	7.5±0.3	39±1	/	90	150	7.5
13	FTRC-0933	A-5	22.5±1	22.5±1	9.5±0.3	43±1	/	105	190	9.5