



■ Features:

- High Q over a wide frequency range
- Jacket with a high temperature material which assures mechanical stability and very close tolerance
- Forms a flat top making them suitable

■ Applications:

- Satellite communication systems
- TVs and audio equipment
- Microwave equipment
- Band pass equipment

■ Parts code:

**SAC-0805**

Type

**10N**

Inductance code

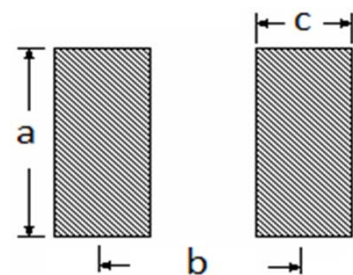
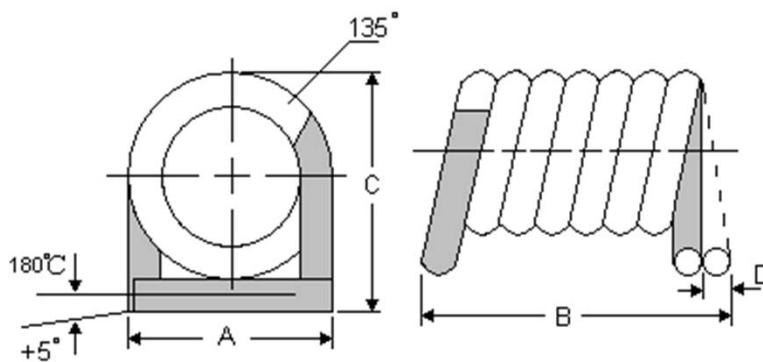
**K**

Tolerance: J : ± 5%

K : ± 10%

■ Outline Dimension:

■ Land Pattern:



Dimensions in mm

Flic No.	A	B	C	D	a	b	c
	Max	Max	Max	Typ.	Typ.	Typ.	Typ.
SAC 0603	1.8	2.0	2.0	0~0.3	1.02	0.64	0.64
SAC 0805	1.8	2.9	2.1	0~0.3	1.78	0.76	1.02
SAC 1008	1.9	3.2	2.2	0~0.3	2.54	1.27	1.02

■ Package:

TYPE	SAC-0603	SAC-0805	SAC-1008
Q'TY / Reel	6000	6000	6000



### Specifications

Flic No.	Inductance ( nH )	Test Frequency (MHz)	Q Tpy.	SRF Min (GHz)	DCR Max (mΩ)	Irms (mA)
SAC 0603- 3N9K	3.9	300	80	3.0	3.0	950
SAC 0603- 4N7K	4.7	300	80	3.0	3.6	900
SAC 0603- 5N6K	5.6	300	80	3.0	3.8	950
SAC 0603- 6N8K	6.8	300	80	3.0	4.5	900
SAC 0603- 8N2K	8.2	300	80	3.0	5.3	840
SAC 0603- 10NK	10	300	70	3.0	6.9	600
SAC 0603- 12NK	12	300	70	3.0	8.3	600
SAC 0603- 15NK	15	300	70	2.5	11.5	500
SAC 0603- 18NK	18	300	70	2.5	12.8	500
SAC 0603- 22NK	22	300	70	2.4	11.3	550
SAC 0603- 27NK	27	300	70	1.6	17.0	500
SAC 0603- 33NK	33	300	70	1.6	26.9	320
SAC 0603- 39NK	39	300	70	1.5	30.7	320
SAC 0603- 47NK	47	300	70	1.5	34.5	320
SAC 0603- 56NK	56	300	70	1.3	38.4	320

Test Frequency: 300MHz, 0.1Vrms, 0 Adc.

Tolerance: G (± 2%) , J (± 5%) , K (± 10%)

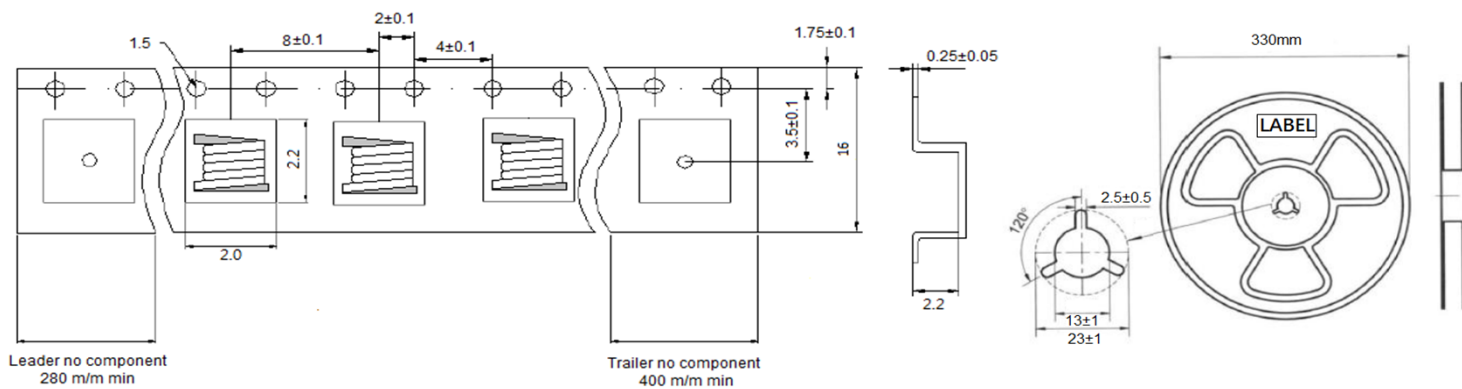
Average current for 40°C temperature rise from 25°C

Electrical specifications at 25°C

Operating temperature range: -40°C ~ +85°C

Storage Temp: -40°C ~ +85°C

Package:



Package: Q'TY / Reel

SAC-0603---6K/pcs



### ■ Specifications

Flic No.	Inductance ( nH )	Test Frequency (MHz)	Q Tpy.	SRF Min (GHz)	DCR Max (mΩ)	Irms (mA)
SAC 0805- 3N9K	3.9	300	80	3.0	2.6	1200
SAC 0805- 4N7K	4.7	300	80	3.0	3.6	900
SAC 0805- 5N6K	5.6	300	80	3.0	3.7	950
SAC 0805- 6N8K	6.8	300	80	3.0	4.5	900
SAC 0805- 8N2K	8.2	300	80	3.0	5.3	840
SAC 0805- 10NK	10	300	70	3.0	5.4	900
SAC 0805- 12NK	12	300	70	3.0	6.3	900
SAC 0805- 15NK	15	300	70	2.5	7.2	500
SAC 0805- 18NK	18	300	70	2.5	12.5	500
SAC 0805- 22NK	22	300	70	2.4	12.9	550
SAC 0805- 27NK	27	300	70	1.6	14.5	550
SAC 0805- 33NK	33	300	70	1.6	18.7	500
SAC 0805- 39NK	39	300	70	1.5	25.7	380
SAC 0805- 47NK	47	300	70	1.5	34.5	320
SAC 0805- 56NK	56	300	70	1.3	38.4	320
SAC 0805- 68NK	68	300	70	1.3	42.2	320

■ Test Frequency: 300MHz,0.1Vrms,0 Adc.

■ Tolerance: G (± 2%) , J (± 5%), K (± 10%)

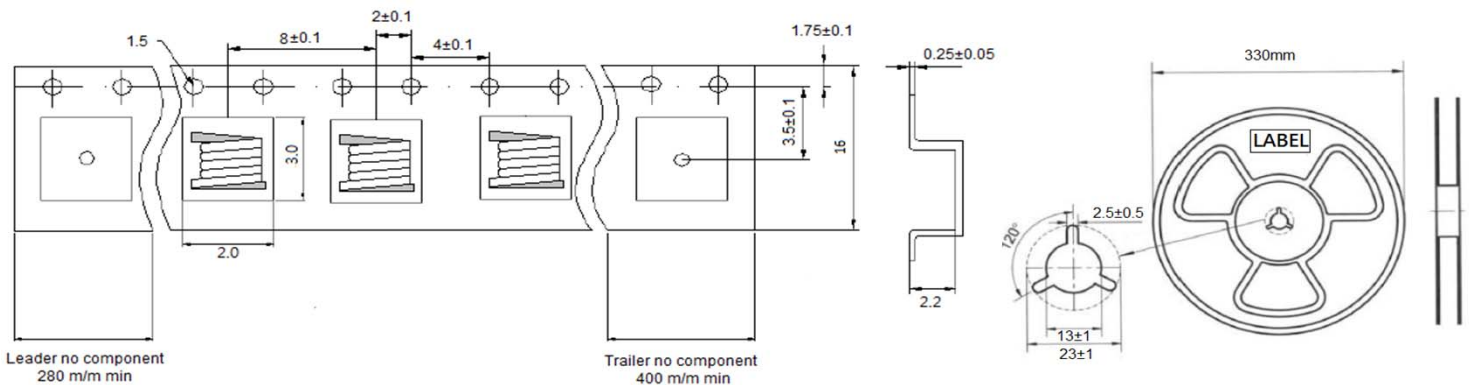
■ Average current for 40°C temperature rise from 25°C

■ Electrical specifications at 25°C

■ Operating temperature range: -40°C ~ +85°C

■ Storage Temp: -40°C ~ +85°C

■ Package:



■ Package: Q'TY / Reel  
SAC-0805---6K/pcs



### ■ Specifications

Flic No.	Inductance ( nH )	Test Frequency (MHz)	Q Tpy.	SRF Min (GHz)	DCR Max (mΩ)	Irms (mA)
SAC 1008- 6N8K	6.8	300	80	3.0	4.0	1200
SAC 1008- 8N2K	8.2	300	80	3.0	5.0	950
SAC 1008- 10NK	10	300	70	3.0	6.0	950
SAC 1008- 12NK	12	300	70	3.0	6.5	900
SAC 1008- 15NK	15	300	70	2.5	7.3	900
SAC 1008- 18NK	18	300	70	2.5	9.6	840
SAC 1008- 22NK	22	300	70	2.4	10.8	840
SAC 1008- 27NK	27	300	70	1.6	13.9	600
SAC 1008- 33NK	33	300	70	1.6	19.5	500
SAC 1008- 39NK	39	300	70	1.5	21.6	500
SAC 1008- 47NK	47	300	70	1.5	26.5	470
SAC 1008- 56NK	56	300	70	1.3	30.5	470
SAC 1008- 68NK	68	300	70	1.3	37.1	380
SAC 1008- 82NK	82	300	70	1.0	51.5	320
SAC 1008- R10K	100	300	70	1.0	55.5	320
SAC 1008- R12K	120	300	70	0.95	63.4	320

■ Test Frequency: 300MHz, 0.1Vrms, 0 Adc.

■ Tolerance: G (± 2%) , J (± 5%) , K (± 10%)

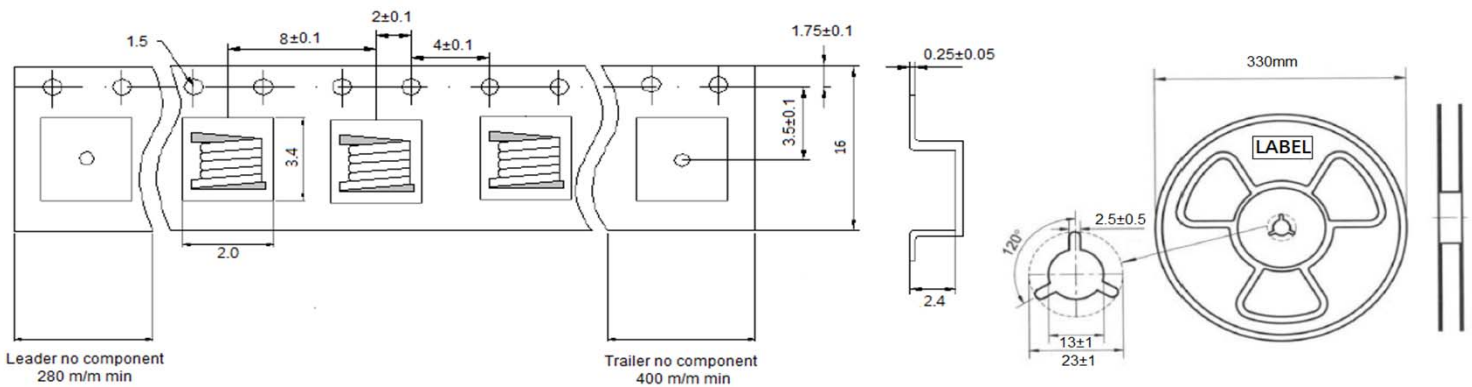
■ Average current for 40°C temperature rise from 25°C

■ Electrical specifications at 25°C

■ Operating temperature range: -40°C ~ +85°C

■ Storage Temp: -40°C ~ +85°C

■ Package:



■ Package: Q'TY / Reel  
SAC-1008---6K/pcs