

■ Features:

- High Q over a wide frequency range
- mechanical stability and very close tolerance forms a flat top making them suitable
- Current handling as high as 5.7 Amps
- Terminations RoHS compliant tin-silver over copper

■ Applications:

- Satellite communication systems
- TVs and audio equipment
- Microwave equipment
- Band pass equipment

■ Parts code:

SAC 1515SQ

Type

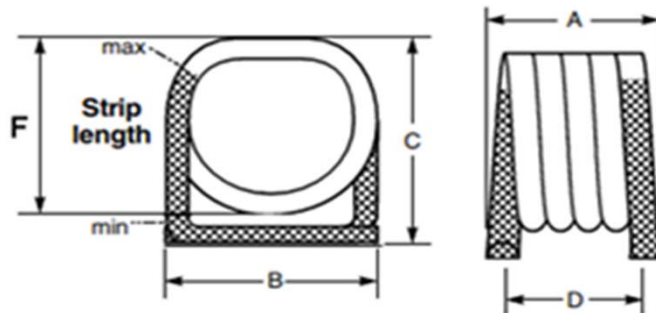
82N

Inductance code

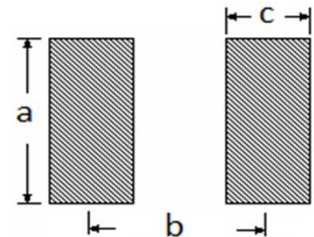
J

Tolerance: J : ±5%

■ Outline Dimension:



■ Land Pattern:



■ SAC 1515SQ / 2222SQ

Dimensions in mm

Flic No.	A	B	C	D	a	b	c
	± 0.25	± 0.18	± 0.18	Typ.	Typ.	Typ.	Typ.
SAC 1515SQ-47NJ	4.06	3.56	3.73	3.56	4.45	3.56	1.78
SAC 1515SQ-68NJ	5.33	3.56	3.73	4.83	4.45	4.83	1.78
SAC 1515SQ-82NJ	5.84	3.56	3.73	5.33	4.45	5.33	1.78

Flic No.	A	B	C	D	a	b	c
	± 0.381	± 0.254	± 0.254	Typ.	Typ.	Typ.	Typ.
SAC 2222SQ-90NJ	5.21	5.46	5.69	4.45	6.48	4.45	2.16
SAC 2222SQ-R11J	6.35	5.59	5.69	5.84	6.73	5.84	2.16
SAC 2222SQ-R13J	6.73	5.59	5.69	6.22	6.73	6.22	2.16
SAC 2222SQ-R16J	7.37	5.59	5.69	6.60	6.73	6.60	2.16
SAC 2222SQ-R18J	8.13	5.59	5.69	7.37	6.73	7.37	2.16
SAC 2222SQ-R22J	9.91	5.59	5.69	9.14	6.73	9.14	2.16
SAC 2222SQ-R27J	11.68	5.59	5.69	10.67	6.73	10.67	2.16
SAC 2222SQ-R30J	11.94	5.72	5.69	11.18	6.73	11.18	2.16

SMD Air Spring Coil

SAC 1515SQ / 2222SQ



SAC 1515SQ / 2222SQ

■ Specifications

Flic No.	Inductance (nH)	Test Frequency (MHz)	Q Tpy.	SRF Min (GHz)	DCR Max (mΩ)	Irms (A)
SAC 1515SQ- 47NJ	47	400	230	1.87	6.35	4.90
SAC 1515SQ- 68NJ	68	400	230	2.13	8.60	5.50
SAC 1515SQ- 82NJ	82	400	230	1.79	9.40	5.60

■ Test Ferquency: 400MHz,0.1Vrms,0 Adc.

Flic No.	Inductance (nH)	Test Frequency (MHz)	Q Tpy.	SRF Min (GHz)	DCR Max (mΩ)	Irms (A)
SAC 2222SQ- 90NJ	90	50	140	1.15	5.50	5.00
SAC 2222SQ- R11J	110	50	140	1.00	6.50	5.70
SAC 2222SQ- R13J	130	50	140	1.00	7.50	5.40
SAC 2222SQ- R16J	160	50	140	1.00	8.25	5.70
SAC 2222SQ- R18J	180	50	140	1.10	9.50	5.00
SAC 2222SQ- R22J	220	50	140	1.00	11.00	5.00
SAC 2222SQ- R27J	270	50	140	0.80	12.50	4.30
SAC 2222SQ- R30J	300	50	150	0.72	13.80	3.70

■ Tolerance: G (± 2%) , J (± 5%)

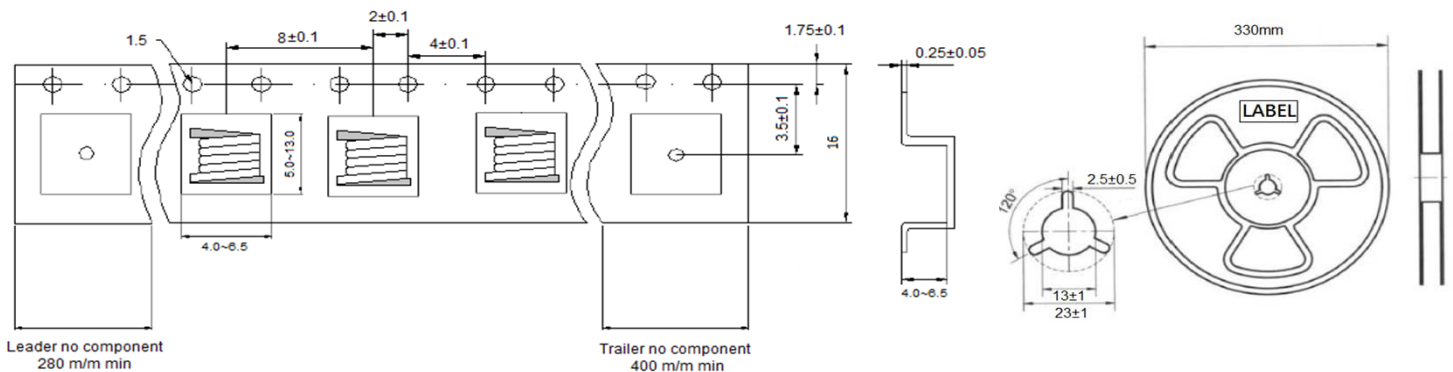
■ Average current for 40°C temperature rise from 25°C

■ Electrical specifications at 25°C

■ Operating temperature range: -40°C ~ +85°C

■ Storage Temp: -40°C ~ +85°C

■ Package:



■ Package: Q'TY / Reel

SAC-1515SQ---2K/pcs

SAC-2222SQ---750/pcs



FLIC Technology Co.,Ltd.

TEL:886-2-8675-5519

FAX:886-2-8675-5299

http:www.flic.com.tw

email: sale@flic.com.tw