



2.0X1.6X1.0

■ Features:

- Low profile construction and miniature size
- Magnetic shielded construction
- High current saturation
- For new generation portable product D/D converter unit

■ Applications:

- Notebooks, desktop computers, servers, graphic cards.
- Blue -ray disc recorders, set top box , Automotive systems.
- Portable gaming devices, personal navigation systems, personal multimedia devices

■ Parts code:

SNR 201610

Type

4R7

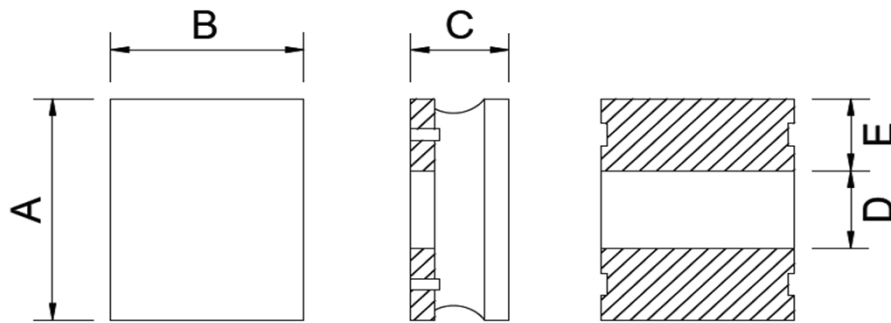
Inductance code

M

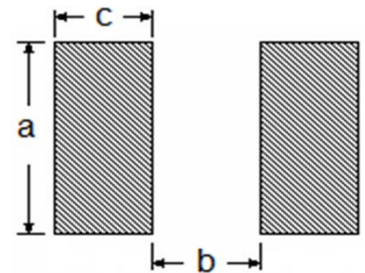
Tolerance: M : ± 20%

N : ± 30%

■ Outline Dimension:

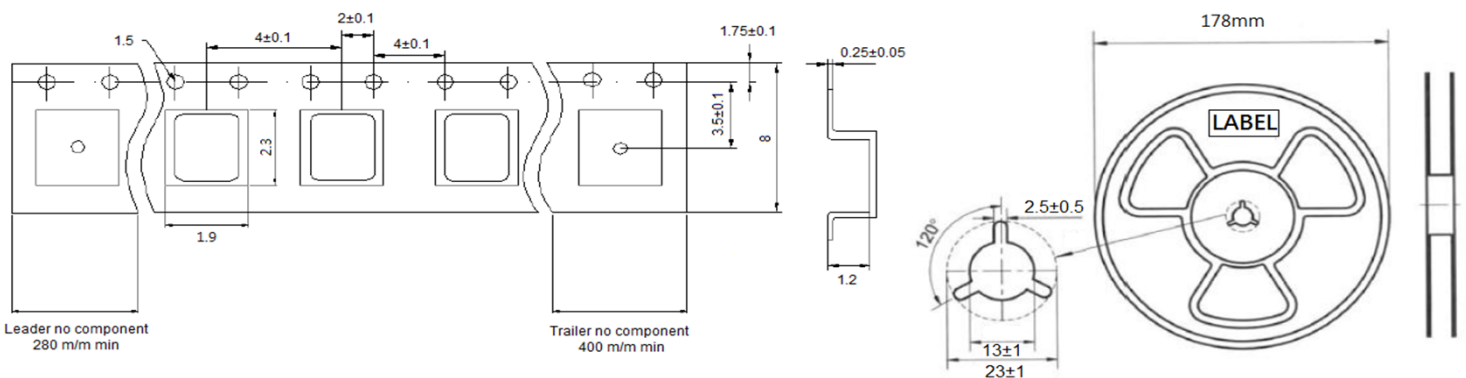


■ Recommended Land Pattern:



Dimensions in mm

TYPE	A	B	C	D	E	a	b	c
SNR 201610	2.0±0.3	1.6±0.3	1.05 max	0.6±0.2	0.77±0.2	1.8 Typ	0.6 Typ	0.8 Typ



■ Package: Q'TY / Reel

SNR-201610--2K/pcs

SMD Power Inductor SNR 201610



2.0X1.6X1.0

Specifications

SNR 201610

Flic No.	L	DCR (Ω)	Stauration Current	Heat Rating Current
	(μ H)	Max	Isat (A)	Irms (A)
SNR 201610- R47N	0.47	0.059	2.30	2.35
SNR 201610- R68N	0.68	0.076	1.95	2.05
SNR 201610- 1R0N	1.0	0.114	1.65	1.45
SNR 201610- 1R5N	1.5	0.174	1.35	1.25
SNR 201610- 2R2M	2.2	0.264	1.20	1.10
SNR 201610- 3R3M	3.3	0.335	0.90	0.88
SNR 201610- 4R7M	4.7	0.479	0.70	0.74
SNR 201610- 6R8M	6.8	0.816	0.60	0.52
SNR 201610- 100M	10	1.020	0.50	0.45

Notes: Tolerance: M ($\pm 20\%$), N ($\pm 30\%$)

Test Ferquency: 1 MHz / 0.25V

Isat: Based on Inductance decrease 30%

Irms: Based on Temperature increase 40°C

Operating temperature range: -40°C ~ +125°C

Storage Temp: -40°C ~ +125°C

Recommended Lead -Free IR Reflow Conditions:

