

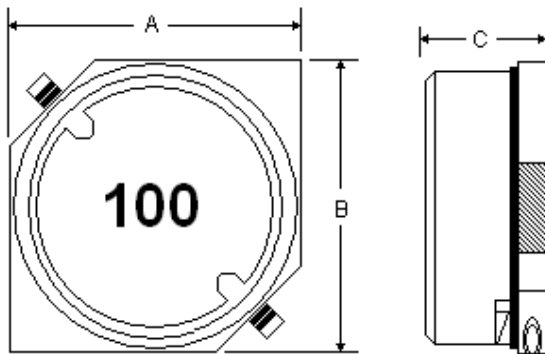


■ Features:

- Compact, low profile with low RDC and large current
- With magnetic shield against radiation

■ Applications:

- DC to DC converters for VTR, OA equipment, LCD television set, notebook, portable communication equipments



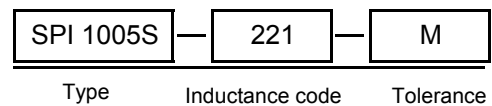
Dimensions in mm

TYPE	A	B	C
SPI 1005S	10.5 Max	10.5 Max	4.8 Max
SPI 1265S	12.8 Max	12.8 Max	6.9 Max

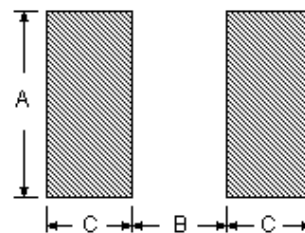
■ Specifications

Inductance		SPI 1005S		SPI 1265S	
Code	uH	DCR (Ω)	IDC (A)	DCR (Ω)	IDC (A)
2R0	2.0			0.0117	10.0
4R2	4.2			0.0150	7.3
7R0	7.0			0.0177	5.7
100	10	0.0364	3.00	0.0202	5.0
150	15	0.0472	2.40	0.0237	4.2
220	22	0.0591	2.10	0.0316	3.5
330	33	0.0815	1.60	0.0406	2.8
470	47	0.1000	1.40	0.0578	2.4
680	68	0.1400	1.20	0.0787	2.0
101	100	0.2000	1.00	0.1230	1.6
151	150	0.3500	0.79		
221	220	0.4700	0.65	0.2730	1.0
331	330	0.6800	0.54		
471	470	1.0300	0.47		
681	680	1.6000	0.38		
102	1000	2.8000	0.32		
152	1500	3.4000	0.22		

■ Parts code:



■ Recommended Land Pattern:



Type	A	B	C
SPI 1005S	3.2	5.6	2.50
SPI 1265S	3.2	8.6	2.5

■ Notes:

1. Test Freq. : 1KHz/ 0.5V
2. PACKAGING: 500Pcs/Reel