

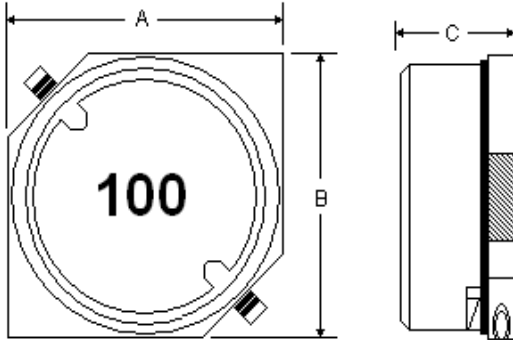


■ Features:

- Compact, low profile with low RDC and large current
- With magnetic shield against radiation

■ Applications:

- DC to DC converters for VTR, OA equipment, LCD television set, notebook, portable communication equipments



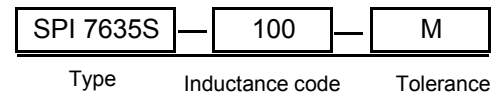
Dimensions in mm

TYPE	A	B	C
SPI 7630S	7.6 Max	7.6 Max	3.0 Max
SPI 7635S	7.6 Max	7.6 Max	3.5 Max

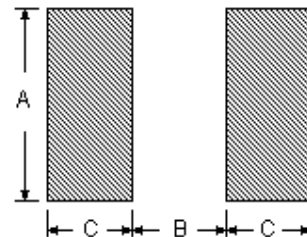
■ Specifications

Inductance		SPI 7630S		SPI 7635S	
		DCR	IDC	DCR	IDC
Code	uH	(Ω)	(A)	(Ω)	(A)
1R0	1.0			0.019	3.12
1R2	1.2	0.02	2.73		
1R5	1.5			0.023	2.85
1R8	1.8	0.02	2.26		
2R2	2.2			0.028	2.66
2R4	2.4	0.03	1.91		
3R3	3.3	0.03	1.68	0.035	2.26
4R7	4.7	0.04	1.28	0.043	1.96
6R8	6.8	0.05	1.06	0.055	1.76
100	10	0.08	1.04	0.080	1.34
120	12	0.10	0.84	0.090	1.23
150	15	0.11	0.77	0.120	1.09
180	18	0.13	0.67	0.130	0.99
220	22	0.18	0.62	0.150	0.90
270	27	0.20	0.57	0.210	0.81
330	33	0.26	0.51	0.250	0.72
390	39	0.30	0.46	0.310	0.67
470	47	0.41	0.45	0.350	0.60
560	56	0.43	0.37	0.430	0.55
680	68	0.50	0.35	0.520	0.50
820	82	0.72	0.32	0.600	0.46
101	100	0.78	0.30	0.790	0.41

■ Parts code:



■ Recommended Land Pattern:



Type	A	B	C
SPI 7630S	2.2	4.0	2.0
SPI 7635S	2.2	4.0	2.0

■ Notes:

1. Test Freq. : 1KHz/0.5V
2. PACKAGING: 1000Pcs/Reel