



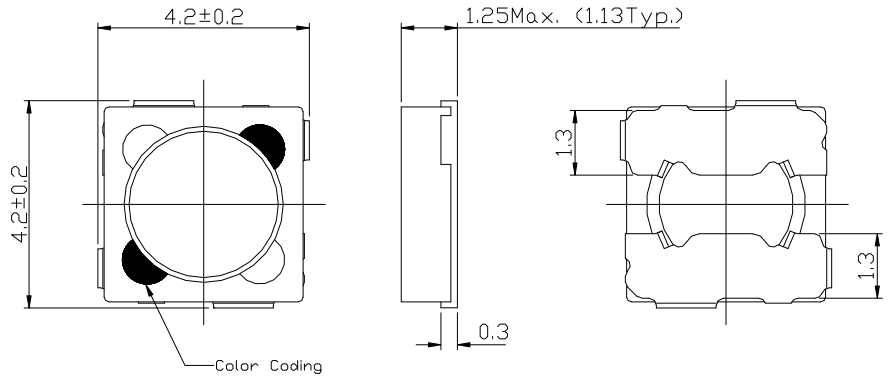
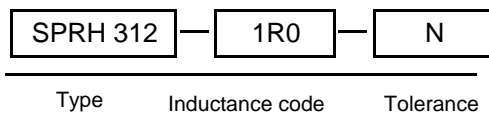
■ Features:

- Miniature size
- Available on tape and reel for automatic insertion
- Lead free part available

■ Applications:

- DC to DC converters for portable equipment , camcorder , LCD television set , digital camera , P.D.A., notebook

■ Parts code:



■ Specifications

Inductance			SPRH 312		
			DCR	IDC	I _{rms}
TYPE		uH	(Ω)	35% (A)	25 °C
SPRH 312-R68	M/N	0.68	0.040	3.20	3.00
SPRH 312-1R0	M/N	1.0	0.045	3.00	2.00
SPRH 312-1R2	M/N	1.2	0.048	2.80	1.90
SPRH 312-1R5	M/N	1.5	0.055	2.40	1.80
SPRH 312-1R8	M/N	1.8	0.073	2.30	1.75
SPRH 312-2R2	M/N	2.2	0.083	2.10	1.75
SPRH 312-2R7	M/N	2.7	0.109	1.70	1.44
SPRH 312-3R3	M/N	3.3	0.118	1.70	1.40
SPRH 312-3R9	M/N	3.9	0.143	1.60	1.30
SPRH 312-4R7	M/N	4.7	0.159	1.58	1.20
SPRH 312-5R6	M/N	5.6	0.213	1.30	1.00
SPRH 312-6R8	M/N	6.8	0.224	1.30	0.96
SPRH 312-8R2	M/N	8.2	0.252	1.14	0.94
SPRH 312-100	M	10	0.327	1.06	0.90
SPRH 312-120	M	12	0.363	0.98	0.82
SPRH 312-150	M	15	0.516	0.80	0.64

■ Notes 1. Test Freq. : 1KHz / 1.0V

2. PACKAGING: 1000Pcs/Reel

3. Tolerance: M=±20% , N=±30%

4. Operating temperature range: -25~+105°C