



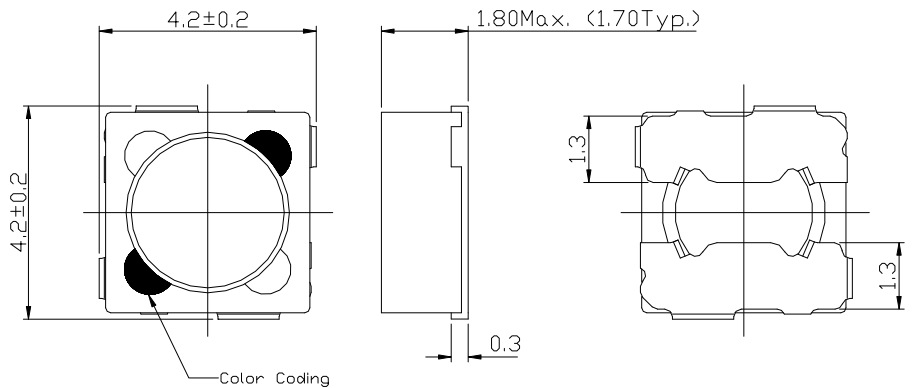
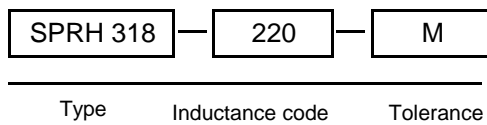
■ Features:

- Miniature size
- Available on tape and reel for automatic insertion
- Lead free part available

■ Applications:

- DC to DC converters for portable equipment , camcorder , LCD television set , digital camera , P.D.A., notebook

■ Parts code:



■ Specifications

Inductance			SPRH 318		
TYPE		uH	DCR (Ω)	IDC 35% (A)	I _{rms} 25 °C
SPRH 318-R27	M/N	0.27	0.019	5.00	4.60
SPRH 318-R47	M/N	0.47	0.029	4.00	3.60
SPRH 318-R68	M/N	0.68	0.032	3.50	3.00
SPRH 318-1R0	M/N	1.0	0.038	3.20	2.40
SPRH 318-1R2	M/N	1.2	0.044	3.00	2.20
SPRH 318-1R5	M/N	1.5	0.050	2.70	2.20
SPRH 318-1R8	M/N	1.8	0.058	2.40	2.00
SPRH 318-2R2	M/N	2.2	0.062	2.20	1.90
SPRH 318-2R7	M/N	2.7	0.068	2.10	1.80
SPRH 318-3R3	M/N	3.3	0.080	1.88	1.65
SPRH 318-3R9	M/N	3.9	0.084	1.80	1.56
SPRH 318-4R7	M/N	4.7	0.099	1.46	1.40
SPRH 318-5R6	M/N	5.6	0.110	1.45	1.30
SPRH 318-6R8	M/N	6.8	0.128	1.26	1.20
SPRH 318-8R2	M/N	8.2	0.146	1.24	1.15
SPRH 318-100	M	10	0.165	1.10	1.05
SPRH 318-120	M	12	0.254	1.00	0.80
SPRH 318-150	M	15	0.320	0.88	0.72

■ Notes 1. Test Freq. : 1KHz / 1.0V

2. PACKAGING: 1000Pcs/Reel

3. Tolerance: M=±20% , N=±30%

4. Operating temperature range: -25~ +105°C