



■ Features:

- Miniature size
- Available on tape and reel for automatic insertion
- Lead free part available

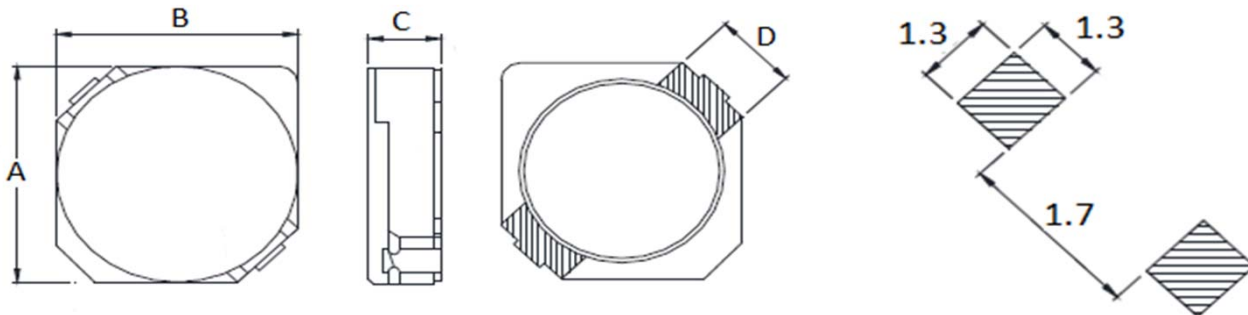
■ Applications:

- DC to DC converters for portable equipment , camcorder , LCD television set , digital camera , P.D.A., notebook

■ Parts code:

SPS 218	100	N
Type	Inductance code	Tolerance

■ Recommended Land Pattern:



Dimensions in mm

TYPE	A	B	C	D
SPS 211	3.0±0.2	3.0±0.2	1.3 Max	1.0±0.2
SPS 218	3.0±0.2	3.0±0.2	2.0 Max	1.0±0.2

■ Specifications

Inductance		SPS 211		SPS 218	
		DCR	I _{rms}	DCR	I _{rms}
TYPE	uH	(Ω)Max	(A)Max	(Ω)Max	(A)Max
1R5N	3.3	0.068	0.90		
2R2N	2.2	0.098	0.78	0.041	0.85
3R3N	3.3	0.123	0.60	0.054	0.75
4R7N	4.7	0.170	0.50	0.078	0.63
6R8N	6.8	0.260	0.44	0.106	0.52
100N	10	0.400	0.35	0.18	0.43
150N	15			0.22	0.35
220N	22			0.32	0.30
330N	33			0.46	0.24
470N	22			0.66	0.20

■ The current when the inductance becomes 35% lower than its initial value or the actual current when the temperature of coil increases to ΔT=40°C.

■ Notes:

- 1.Test Freq. :100KHz / 0.1V
- 2.PACKAGING: 3000Pcs/Reel
- 3.Tolerance: M=±20% , N=±30%
- 4.Operating temperature range:-40~+ 105°C